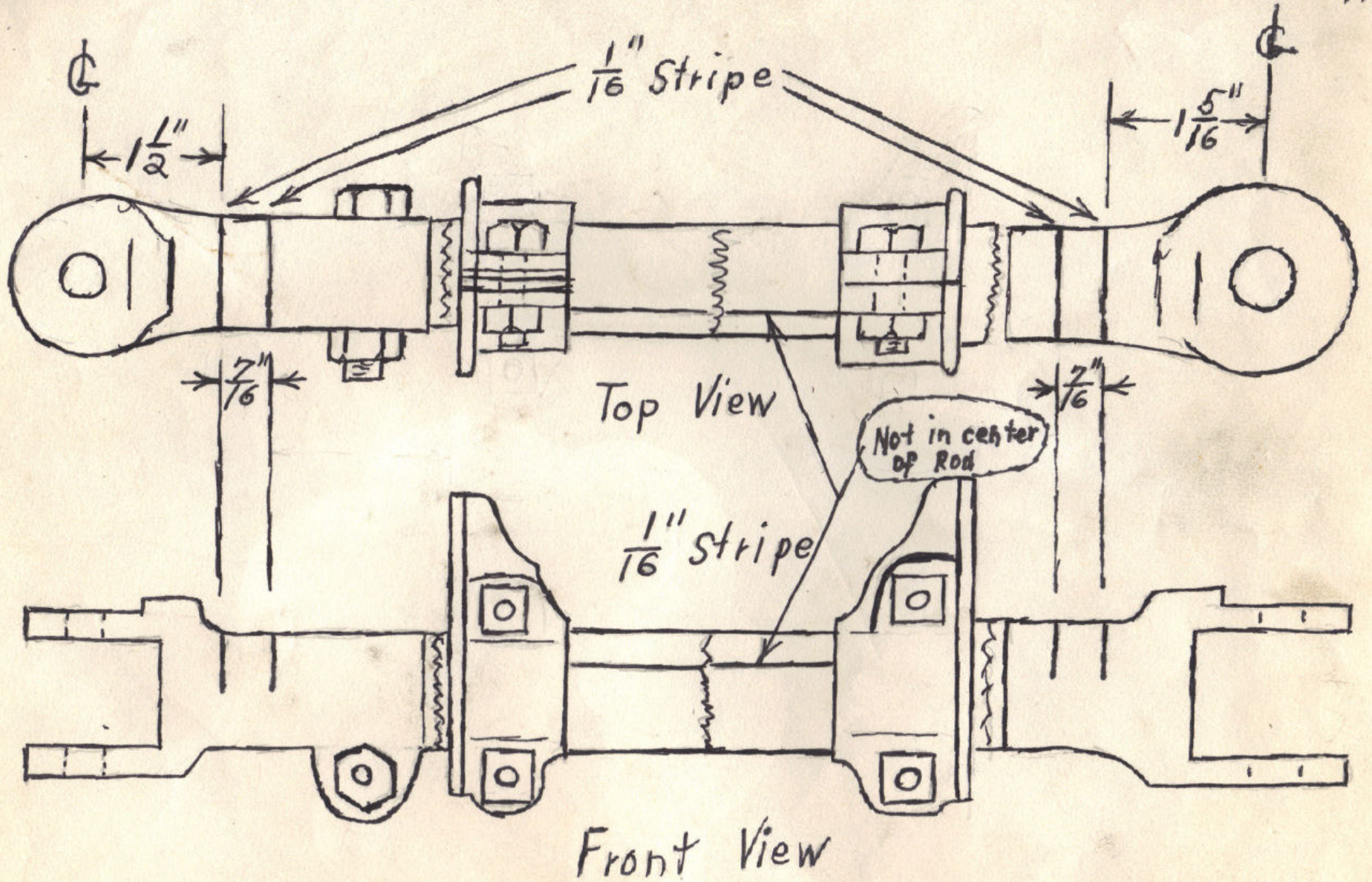


No 1

Tie Rod

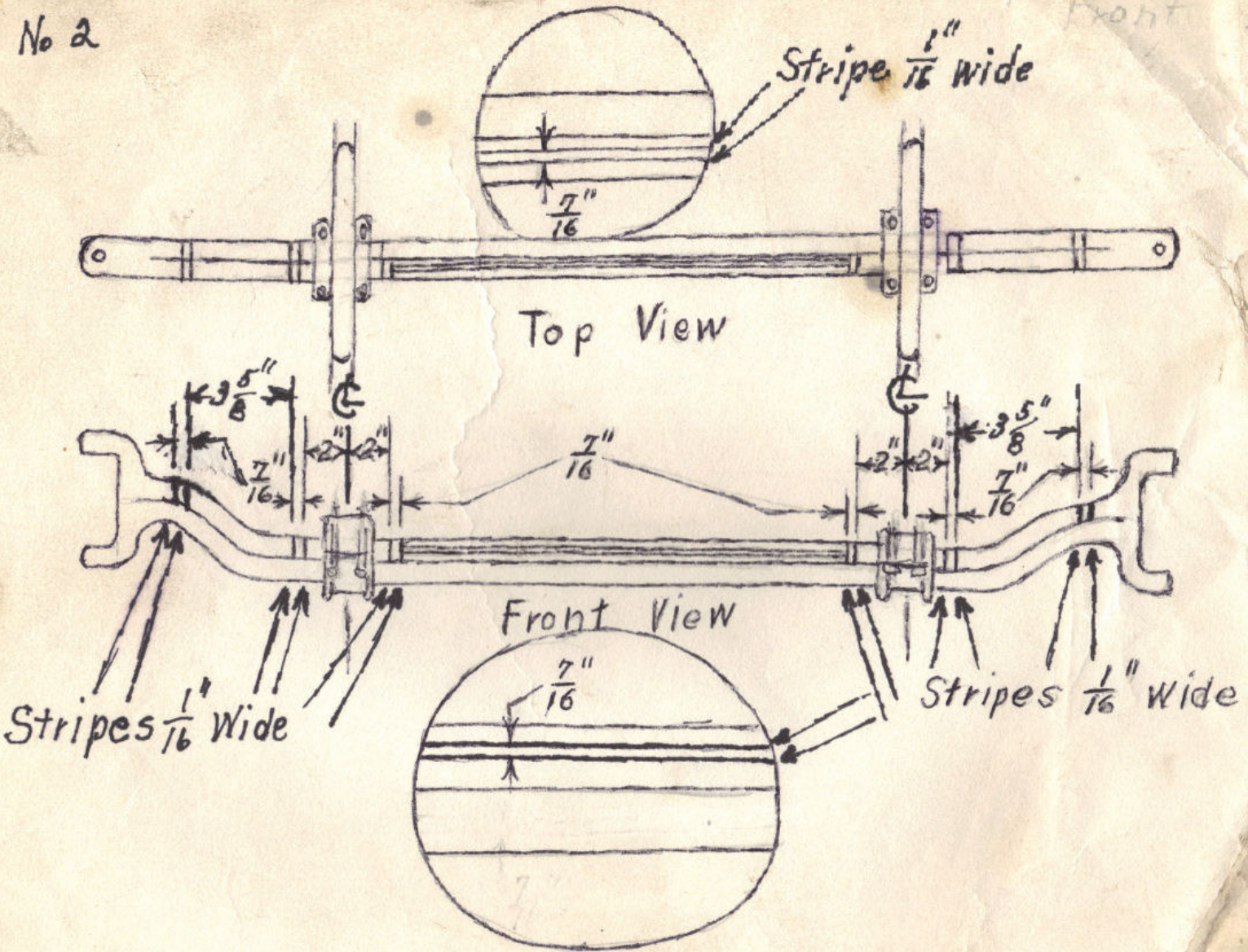
Sears Motor Buggy



By John Daly Sears No 1204

No 2

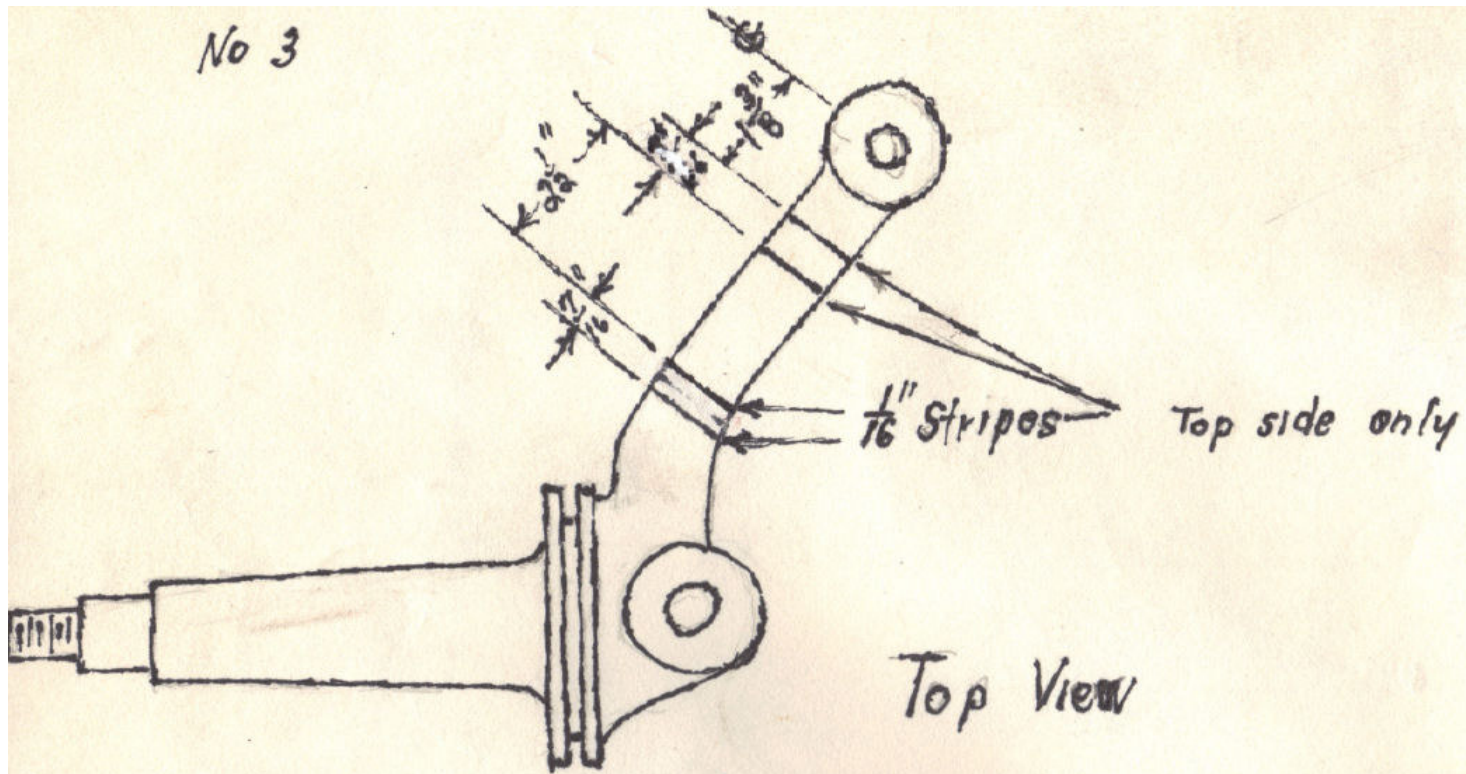
Front Axel



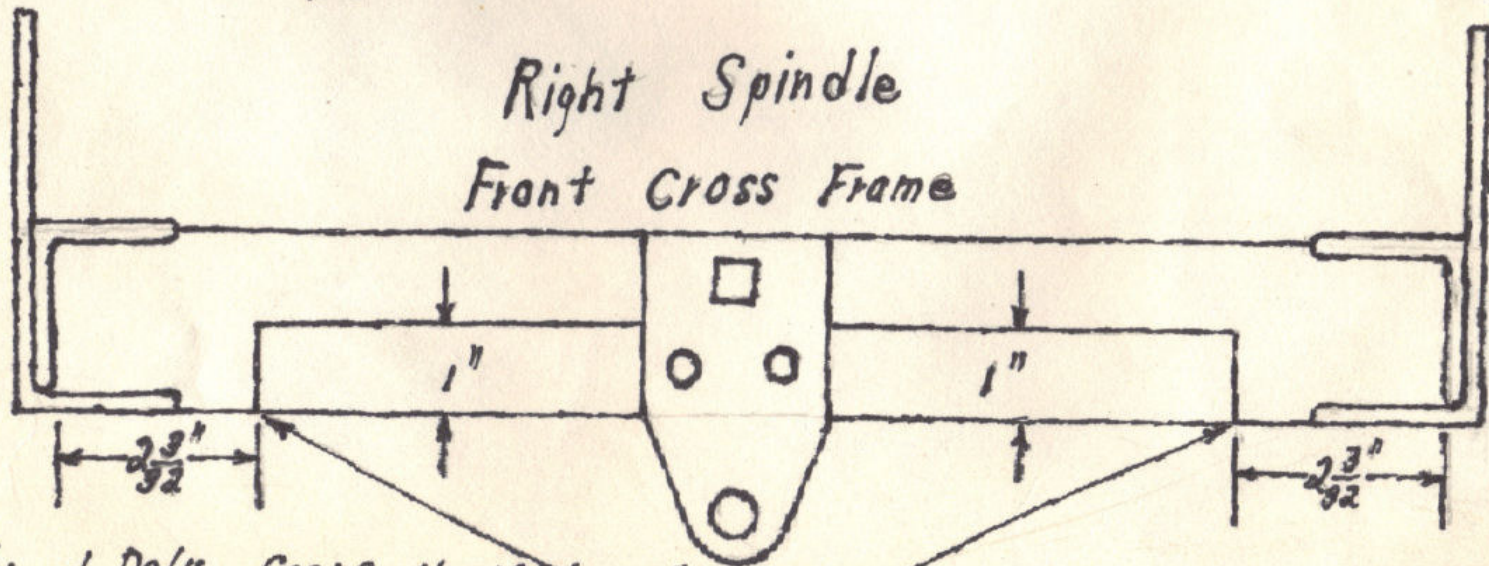
Front Axel

John J. Daly Seers No. 1204

No 3



Top View



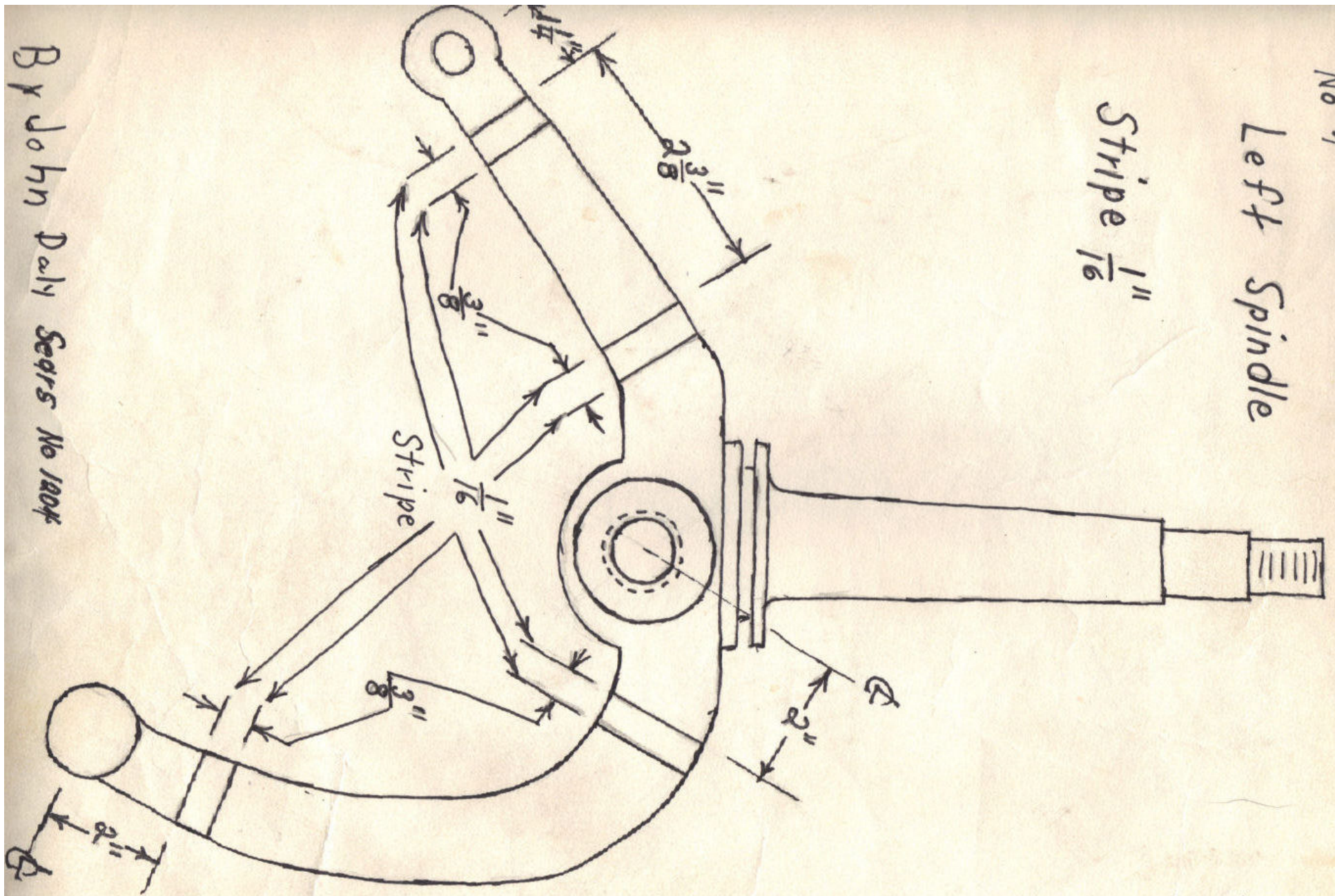
Right Spindle  
Front Cross Frame

John J. Daly Sears No 1204  $\frac{1}{16}$ " Stripe

No 4

Left Spindle

Stripe  $\frac{1}{16}$ "



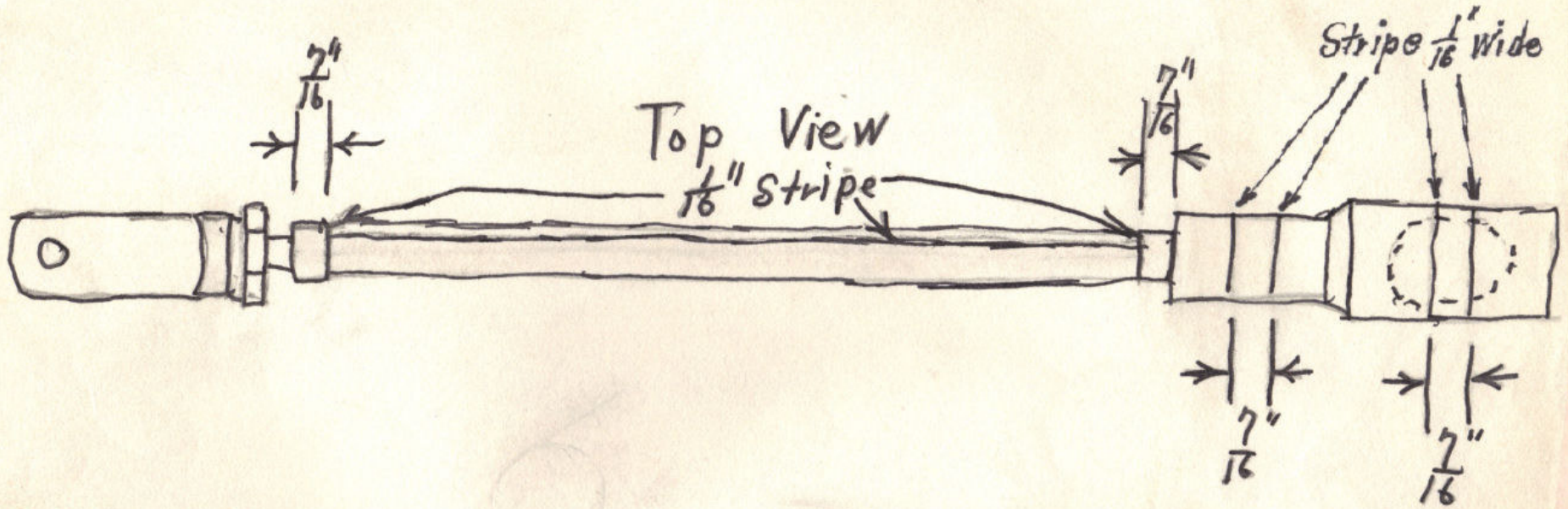
By John Daly Sears No 1004



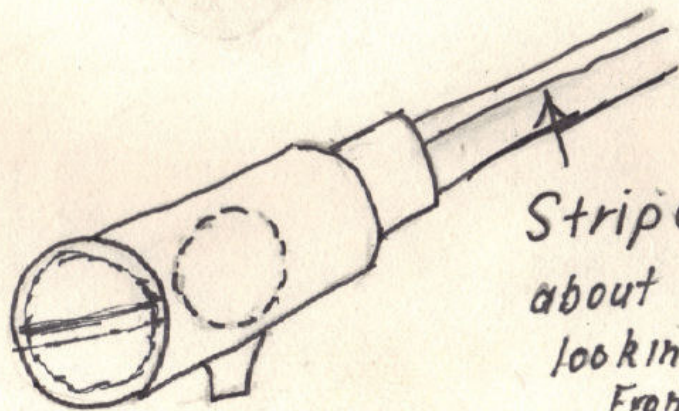


No 6

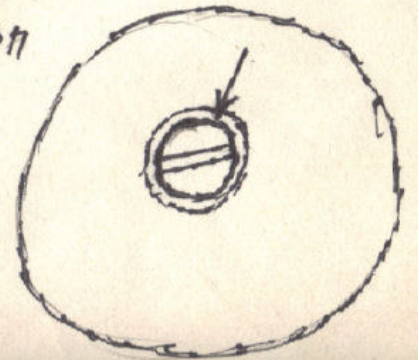
# Drag Link



Front

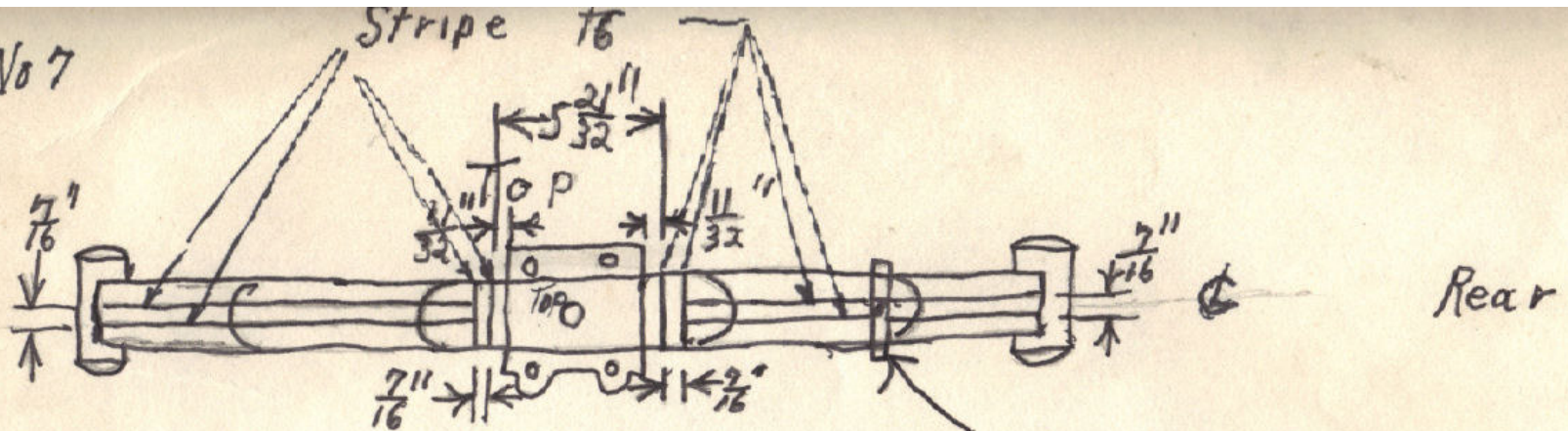


Stripe Position  
about 1 o'clock  
looking from  
Front



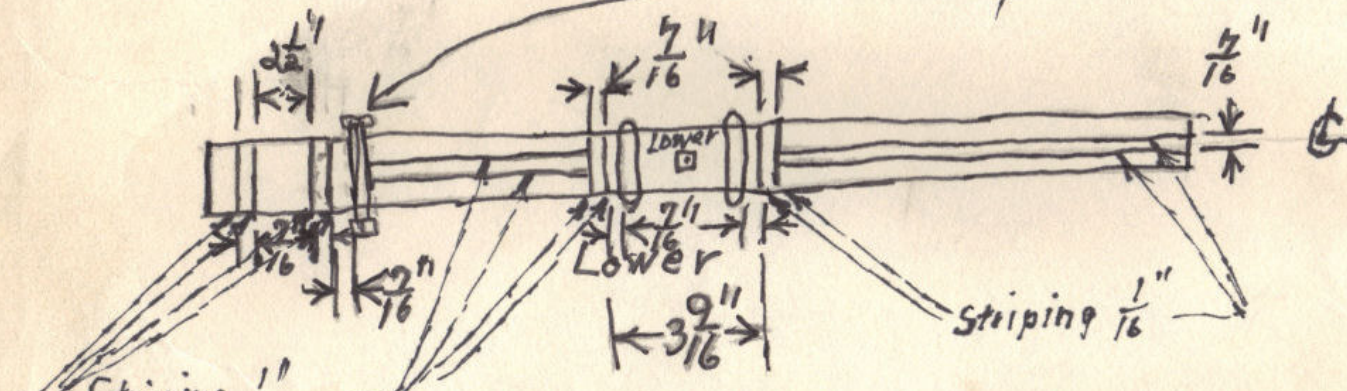
By John Daly Seers No 1204

No 7



Spring Clamp

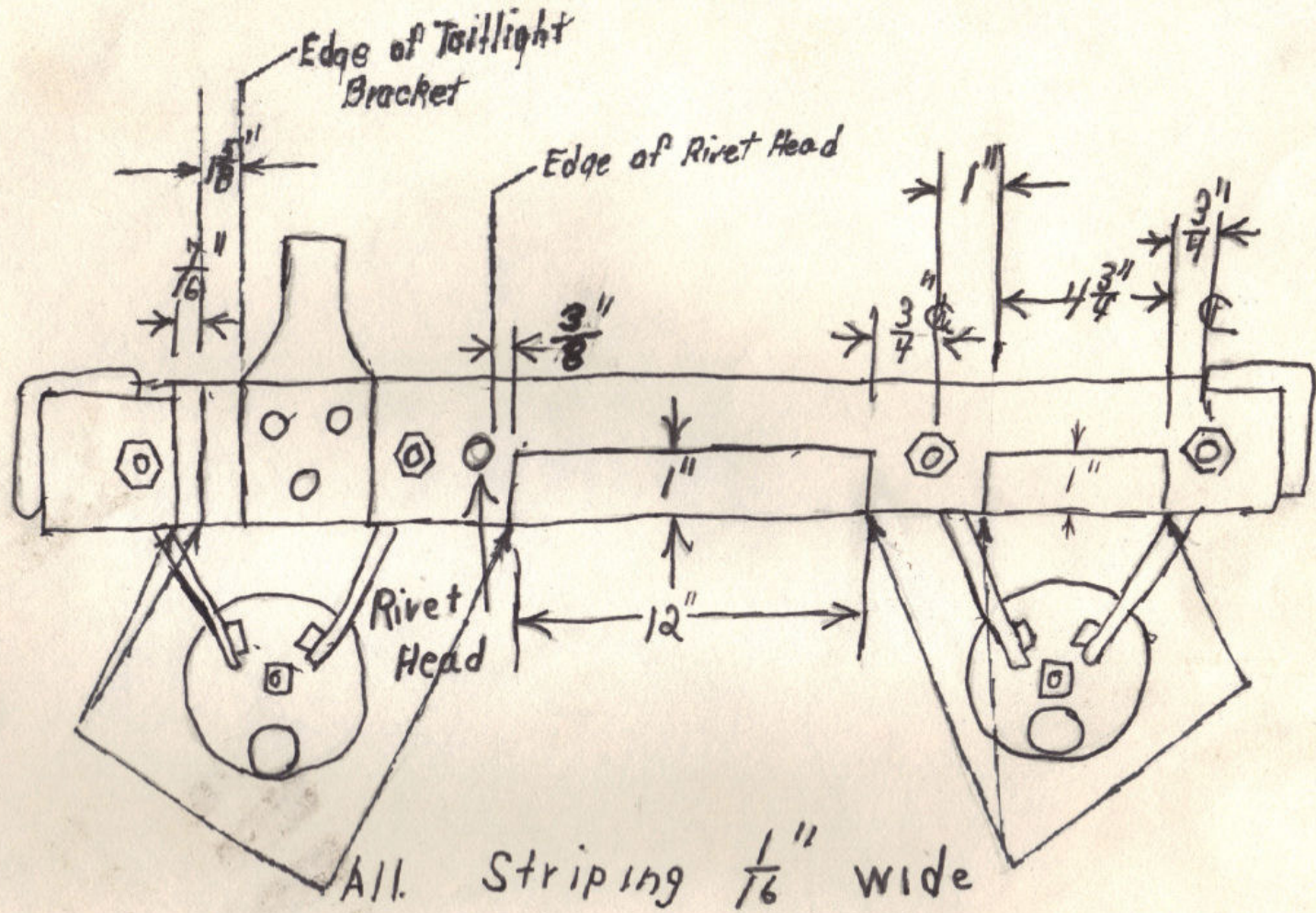
Striping  
Top side of  
Spring only



Rear Spring

No 8

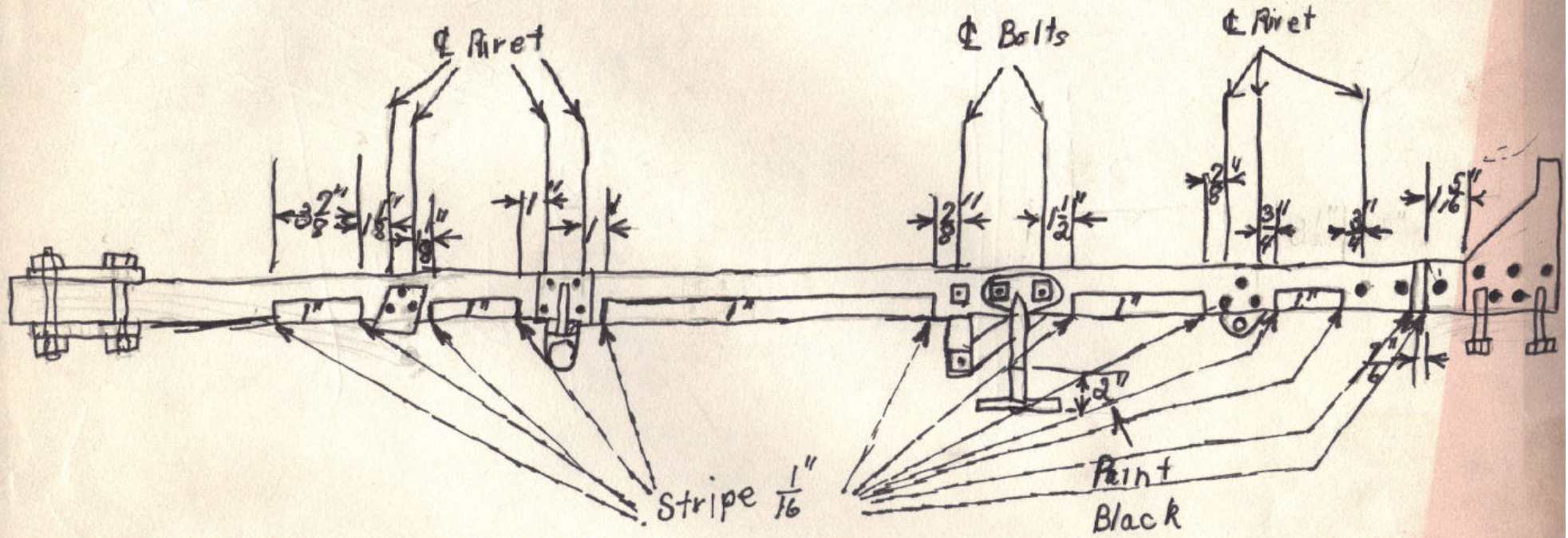
# Frame Rear View



By John Daly Seat 5 No 1204

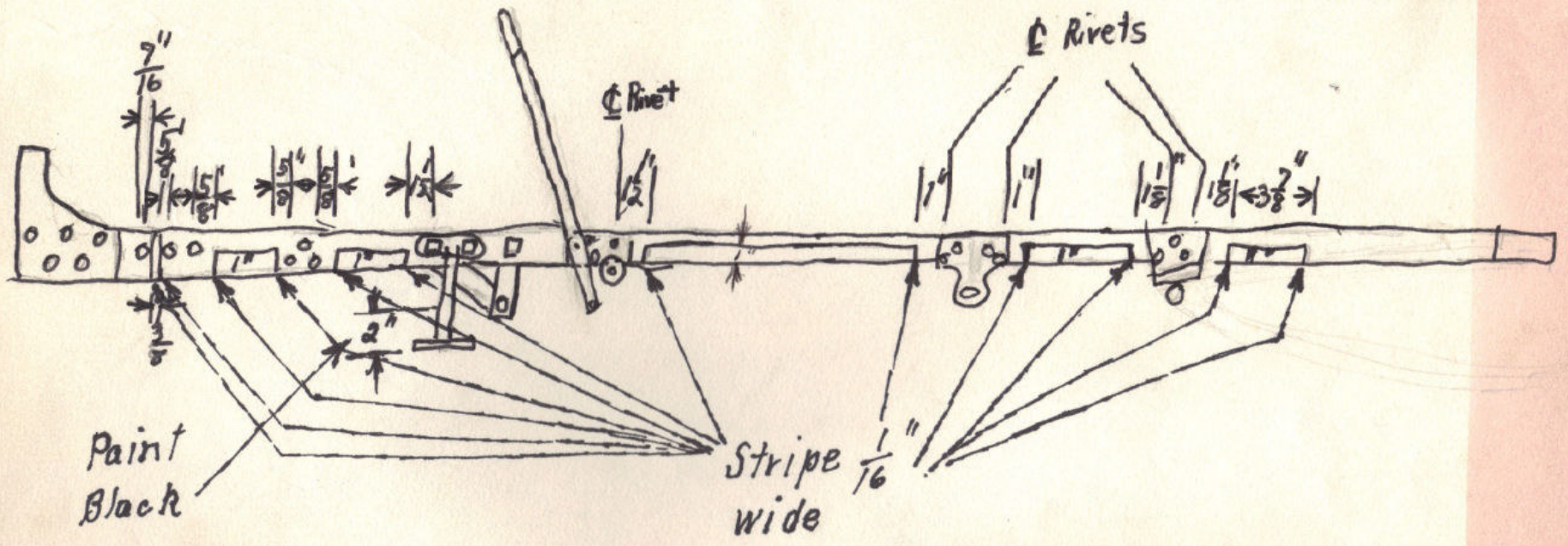
No 9

# Frame Right Side



by John Daly Sears No. 1204

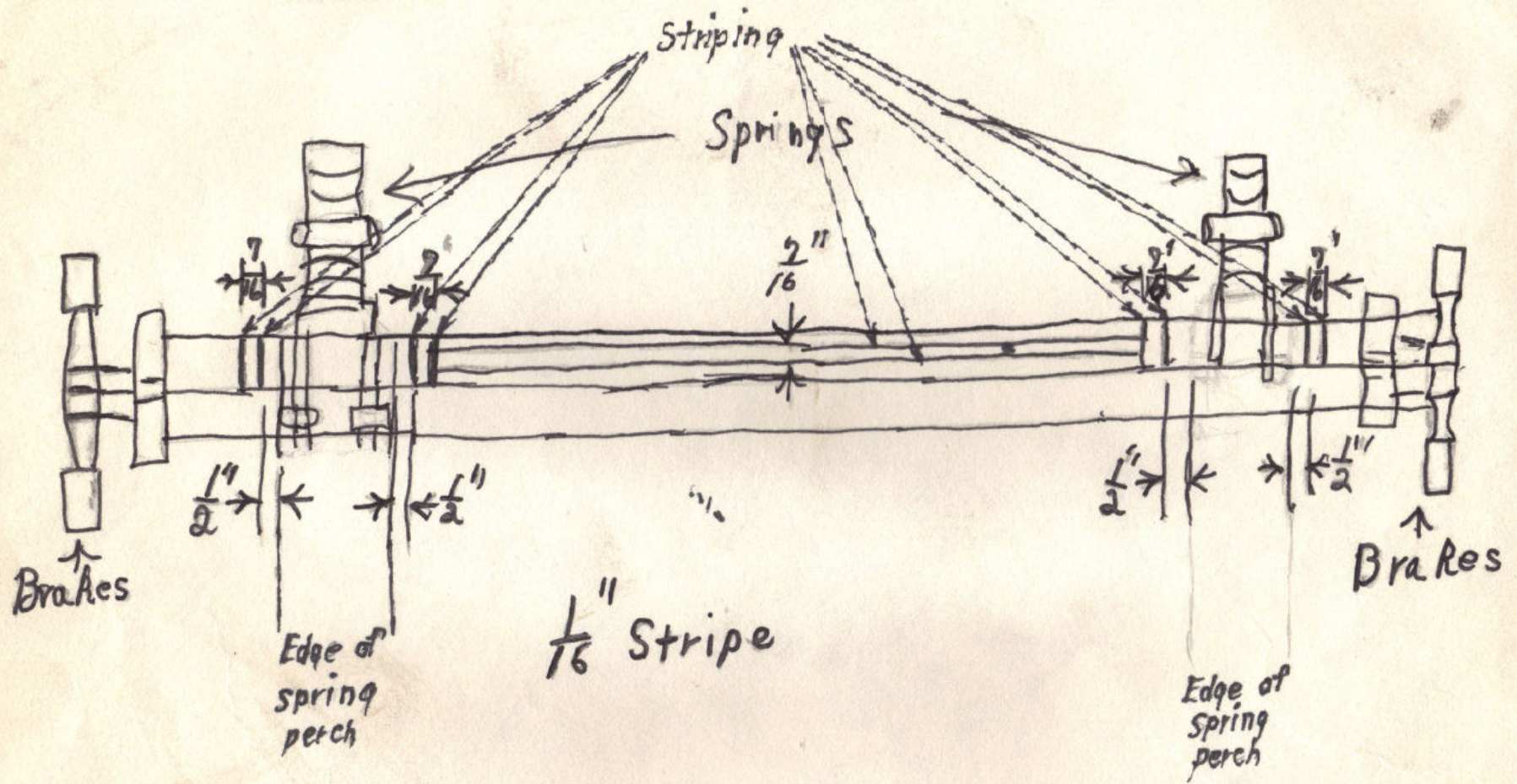
No 10



Left Side Frame

No 11

# Rear Axel / Ver



By John Daly Sears No 1204

